

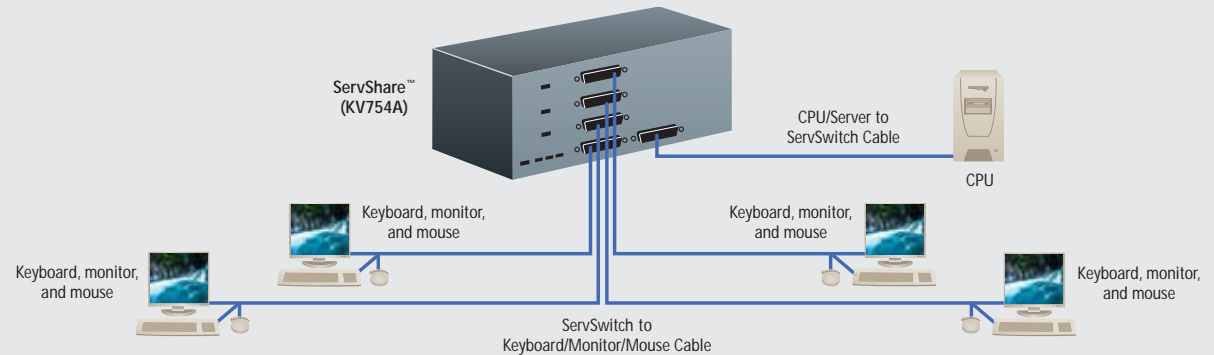


Up to four workstations can access a single CPU or ServSwitch™.

FEATURES

- Fully automatic sharing/switching on an adjustable keyboard-timeout basis.
- Displays video to all user stations simultaneously.
- Supports temporarily private or uninterruptible connections.
- Supports VGA, SVGA, XGA video at resolutions up to 1280 x 1024.
- Supports PS/2 and AT type keyboards.
- Supports any two-button PS/2 or serial mouse.

Multiple keyboard/video/mouse user stations can share a single server.



OVERVIEW

Do *all* of your users really *need* a dedicated computer CPU on their desk just to look up something on your network once or twice a day? If they can share access to data or an application program, why buy multiple CPUs and multiple-seat software licenses when you can get by with one of each?

If this sounds like a good idea to you, try a ServShare™ keyboard/video/mouse (KVM) switch. Users at the two, three, or four attached “user stations” (each consisting of a monitor, keyboard, and mouse) can take turns using the attached IBM® PC compatible CPU (and controlling the ServShare with keyboard commands) for as long as they want. Once a user’s keyboard has been idle for the length of the adjustable inactivity timeout, the ServShare releases the CPU for the next user—first come, first served.

Normally, the ServShare handles switching automatically while displaying the CPU’s video on all users’ monitor screens at the same time. But you can also blank the video at other

stations for privacy, or even disable keyboard and mouse control at other stations to avoid being interrupted by other users while they wait for the CPU to process or download something. (Don’t worry—if there’s a station or a user that you don’t want to be able to do this, you can disable keyboard commands from that station by setting DIP switches on the ServShare.)

Connecting devices to the ServShare is a piece of cake. You’ll run a three-in-one CPU Adapter Cable to the CPU, and similar KVM Adapter Cables to each user station, up to maximum CPU-to-station distances of 200 feet (61 m).

The ServShare supports VGA, SVGA, or XGA video up to 1280 x 1024 noninterlaced, although SVGA and XGA will require coaxial cabling. It also supports PS/2® or PC/AT® compatible keyboards using any of the three IBM “keyboard modes.” And the attached mice can be any two-button PS/2 or serial type by Microsoft® or Logitech™.

Technically Speaking

The front-panel LEDs of the ServShare show unit power, which stations are receiving video, and which station is controlling the CPU.

The ServShare also saves the Num Lock, Caps Lock, and Scroll Lock states of the keyboards, and it instantly refreshes their LEDs when users connect.

With the ServShare, you can set the keyboard “typematic” (automatic key repeat) rate and delay for each keyboard.

The ServShare automatically re-enables PS/2 mice when they’re reattached after being disconnected.

WHAT’S INCLUDED

- ◆ ServShare
- ◆ Power supply
- ◆ User’s manual



Top: KV752A; bottom: KV754A

TECH SPECS

Compliance — CE, FCC Part 15 Subpart B Class A, DOC Class/MDC classe A

Distance (Maximum) — Depending on the CPU, monitor, and video resolution:

40 ft. (12.2 m) of total original Serv cable from any keyboard, monitor, and mouse to the CPU; or

20 ft. (6.1 m) of coaxial cable—possibly as much as 100 ft. (30.5 m), depending on the CPU—from any ServShare to any device attached to it

Resolution (Maximum) — With original Serv cabling: 1024 x 768 noninterlaced;

With coaxial cabling: 1280 x 1024 noninterlaced

Standards — With original Serv cabling: VGA (color or monochrome/page white) video;

With original Serv cabling (minimal) or coaxial cabling (recommended): SVGA video;

With coaxial cabling: XGA video

User Controls — Keyboard commands; Front-mounted 8-position DIP switch;

Rear-mounted power (ON/OFF) push button

Interface —

All CPU and KVM ports: Proprietary composite of IBM® PS/2 or PC/AT keyboard, PS/2 or RS-232 mouse, and VGA/SVGA/XGA video;

RS-232 port: Proprietary variant of TIA/EIA RS-232 using RJ-12 (“6-wire RJ-11”) connectors, DTE

Connectors — Front-mounted: (1) DB25 F for CPU;

KV752A, KV752AE: (2) DB25 F for keyboard, video, and mouse; KV754A, KV754AE: (4) DB25 F for keyboard, video, and mouse;

Rear-mounted: (1) RJ-12 F for RS-232; (1) 5-pin DIN for power

Indicators — All front-mounted LEDs: (1) Power; (1) Remote Video; KV752A, KV752AE: (2) Status (active station);

KV754A, KV754AE: (4) Status (active station)

Enclosure — Steel

Altitude (Maximum) — 10,000 ft. (3048 m)

Temperature Tolerance — 32 to 131°F (0 to 55°C)

Humidity Tolerance — 5 to 80% noncondensing

Power — KV752A, KV754A: From wallmount power supply PS018:

Optimal input: 120 VAC, 60 Hz, 100 mA;

Output: 16.5 VAC CT, 1.45 amps;

Consumption: Up to 23.9 VA (23.9 watts);

KV752AE, KV754AE: From desktop power supply PS018E:

Optimal input: 230 VAC, 50 Hz, 60 mA;

Output: 16.5 VAC CT, 1.45 amps;

Consumption: Up to 23.9 VA (23.9 watts)

Size — KV752A, KV752AE: 2.1" H x 8.9" W x 4.9" D (5.3 x 22.6 x 12.4 cm);

KV754A, KV754AE: 5.3" H x 13.1" W x 4.9" D (13.5 x 33.3 x 12.4 cm)

Weight — KV752A, KV752AE: 3 lb. (1.4 kg);

KV754A, KV754AE: 7 lb. (3.2 kg)

Item	Code
ServShare	
2-Port, 115-VAC	KV752A
2-Port, 230-VAC	KV752AE
4-Port, 115-VAC	KV754A
4-Port, 230-VAC	KV754AE
To rackmount your ServShare, order...	
19" Rackmount Kit	
for KV752A	SW727
for KV754A	SW728

To connect your ServShare, use the following cables.
For distances up to 20 feet (6.1 m), order standard cables.
For higher resolutions and greater distances, order coax.

CPU Cables

Standard CPU/Server to ServSwitch™ Cables for PS/2®

EHN151

Standard CPU/Server to ServSwitch Cables for AT®

EHN048

Coax CPU/Server to ServSwitch Cables for PS/2 and AT

EHN282

User Cables

Standard ServSwitch to Keyboard/Monitor/Mouse Cables for PS/2

EHN154

Standard ServSwitch to Keyboard/Monitor/Mouse Cables for AT

EHN052

Coax ServSwitch to Keyboard/Monitor/Mouse Cables for PS/2

EHN283

Coax ServSwitch to Keyboard/Monitor/Mouse Cables for AT

EHN270