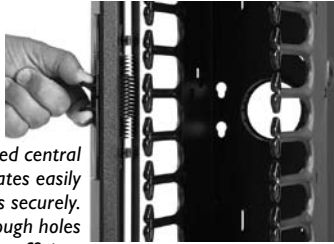


CableTek™ Vertical Cable Manager



DV6D7 shown with door open



Spring loaded central latch operates easily and fastens securely. Pass-through holes facilitate efficient cable routing



Tie-down loops accept Velcro™ Cable Wraps

Application

CableTek™ vertical cable managers, available in single- and double-sided models, support and manage cables in network rack mounted equipment. They mount on the sides of, or between, 2- and 4-post open frame racks. Easy-to-remove front covers ensure convenient access for cable installation and maintenance. The front side of the managers provides support, management, and high capacity for patch cords. The back of the manager supports Cat 5e, 6, 6A, and fiber optic cables. Double-sided models include tool-less movable posts and gates that snap into prepunched holes on the back of the cable manager and can be repositioned as needed. Posts and gates are available for the single sided models.

Features

- Easily removable one-piece front cover with access from right or left as needed opens 180° to allow full access to cables
- Self-aligning bolt locations minimize lifting and speed installation
- Self-captivating fasteners; bolt doesn't turn while tightening nut
- Generous finger depth allows for maximum cable density and allows smooth transitions from vertical to horizontal positions
- Unobstructed cable access to rack equipment – no keep-out areas
- Rounded edges on composite material and grommets protect cable jackets from damage
- Robust arrowhead fingers are shaped to funnel cables into base and are made of black composite material
- Cable tiedown points provided on back

Standard Sizes CableTek™ Vertical Cable Manager

Single Sided	Double Sided	Fits					
Catalog Number	Catalog Number	Rack Height	Rack Units	A (in.)	A (mm)	B (in.)	B (mm)
DV6S7	DV6D7	7 ft	45 U	84	2134	6.00	152
DV10S7	DV10D7	7 ft	45 U	84	2134	10.00	254
DV12S7	DV12D7	7 ft	45 U	84	2134	12.00	305
DV6S8	DV6D8	8 ft	51 U	96	2438	6.00	152
DV10S8	DV10D8	8 ft	51 U	96	2438	10.00	254
DV12S8	DV12D8	8 ft	51 U	96	2438	12.00	305
DV6S9	DV6D9	9 ft	58 U	108	2743	6.00	152
DV10S9	DV10D9	9 ft	58 U	108	2743	10.00	254
DV12S9	DV12D9	9 ft	58 U	108	2743	12.00	305

Velcro™ is a trademark of Velcro Industries B.V.

- Pass-through holes protect cable while facilitating routing between front and back
- Single central door latch allows quick and easy access to cables
- Double sided models include five posts and gates that can be positioned as needed to support and contain cables. Additional posts and gates available as accessories
- Posts snap into prepunched holes in the back of the cable manager
- Gates snap onto posts, open from left or right as needed, and swing 280° for cable access. Posts can be used alone as slack spools to control long patch cords.
- Horizontal and vertical cable managers designed as a system for streamlined appearance and improved functionality

Construction

- Front door and cable channel made of multi-formed light weight aluminum
- Hinge points and supporting fingers made of high strength composite material

Finish

Aluminum components are coated with RAL 9005 black low gloss lightly textured polyester powder paint
Composite parts have a low gloss finish that matches look of RAL 9005 textured paint

Patents

Patent pending

Industry Standards

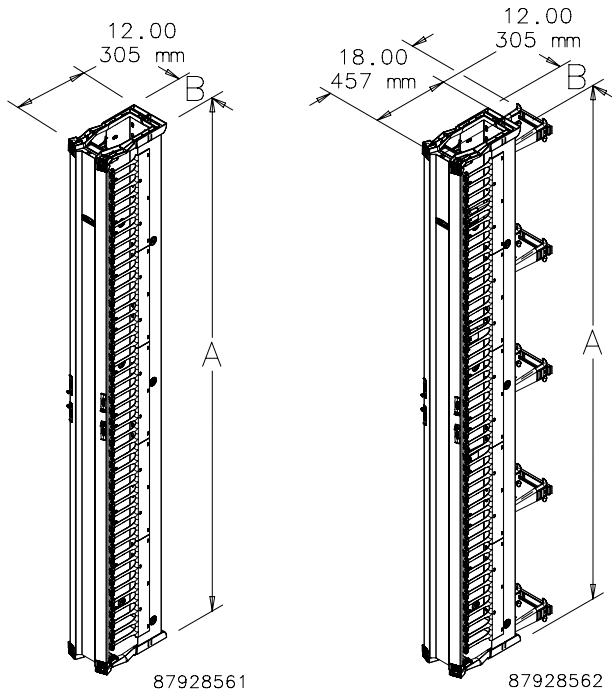
EIA 310-D

Vertical and horizontal cable manager system installed on a 2-post rack

Vertical and horizontal cable managers work together to make an orderly installation

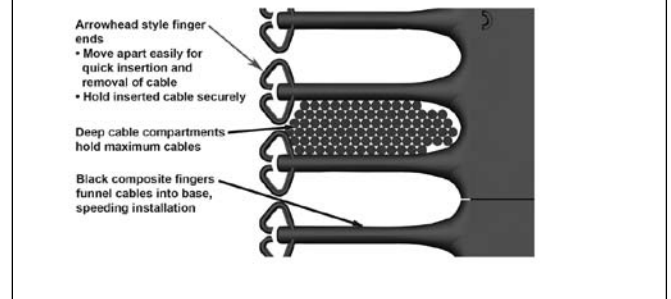


Cable Manager Width	Front Cross-Sectional Area (sq. in.)	Front Cable Fill Rate 60%			Back Cross-Sectional Area (sq. in.)	Back Cable Fill Rate 60%		
		5e Cable (0.22 in. dia.)	6 Cable (0.28 in. dia.)	6A Cable (0.35 in. dia.)		5e Cable (0.22 in. dia.)	6 Cable (0.28 in. dia.)	6A Cable (0.35 in. dia.)
6 in.	58.1	917	566	362	27.9	441	272	174
10 in.	100.8	1592	982	629	51.7	816	504	322
12 in.	122.1	1928	1189	762	64.0	1011	623	399



Arrowhead Cable Capacity Table

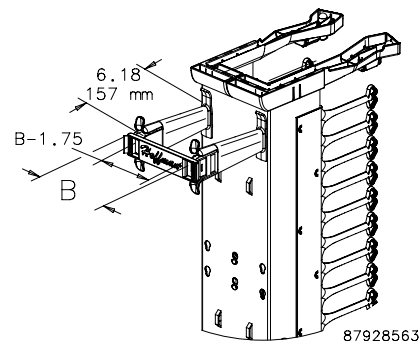
Cross Sectional Area (sq. in.)	Cable Fill Rate @ 60%		
	5e Cable (0.22 in. dia.)	6 Cable (0.28 in. dia.)	6A Cable (0.35 in. dia.)
5.44	85	50	30



Post and Gate Kits



Post and gate sets assemble snap together quickly without tools. Each set consists of two posts and one gate. Posts snap into prepunched holes in cable manager; are easily repositionable. Gates swivel 280° in either direction to allow convenient cable access. When closed, post and gates contain, support, and secure cables and cable bundles.



Catalog Number	Description	B(in.)	B(mm)	Pkg. Qty.
DGP6	Post and Gates	6.00	152	10 sets
DGP10	Post and Gates	10.00	254	10 sets
DGP12	Post and Gates	12.00	305	10 sets



Posts can be used alone as slack spools on the front side of the cable manager.