



Color: Light Almond



NEMA: 5-15R



7599-T

Description

15 Amp-125 Volt @ Receptacle , 20 Amp-125 Volt Feed-Through. SmartLock Pro GFCI Monochromatic Receptacle, phase 7 design nema 5-15R. Nylon wallplate and screws included, back and side wired, less grounding clip. Light Almond

Product Features

Grounding: GFCI Ground Fault

Feature: SmartLockPRO, Buttons Match Face Color

Amperage: 15 Amp

Voltage: 125 Volt

NEMA: 5-15R

Pole: 2

Wire: 3

Termination: Back & Side 20A Feed-Thru

Face Material: Thermoplastic Nylon

Body Material: Thermoplastic Nylon

Strap Material: Steel

Color: Light Almond

Standards and Certifications: UL/CSA

Warranty: 2-Year Limited

Notes: w/ Wallplate

Features and Benefits

- Automatically test the GFCI every time the RESET button is pushed in. The GFCI will not reset if the GFCI circuit is not functioning properly.
- By blocking reset of the GFCI if protection has been compromised, SmartLockPRO reduces the possibility of end-users incorrectly assuming that a reset GFCI outlet is providing ground fault protection when it actually is not.
- A line-load reversal diagnostic feature is provided which prevents the GFCI from being reset and stops power from being fed to the GFCI receptacle face or through to downstream devices. A green LED indicator on the GFCI's face also illuminates 4s to alert the installer to the line-load wiring reversal.
- The trip latch mechanism in SmartLockPro GFCIs is a one piece "T" design for efficient operation
- There are 4 sets of contacts for load terminals and face. SmartLockPRO GFCIs use a patented bifurcated bridge contact for efficient operation
- Trip threshold meets or exceeds UL requirements for tripping time
- Improved immunity to high-frequency noise reduces nuisance tripping
- Advanced electronics design provides superior resistance to electrical surges and over-voltages
- Expanded wiring options with nine back-wire holes (two for each line and load connection plus one for ground with an internal clamp)
- Silver alloy contacts
- Compatible with all Decora devices and wallplates; available in select Decora colors

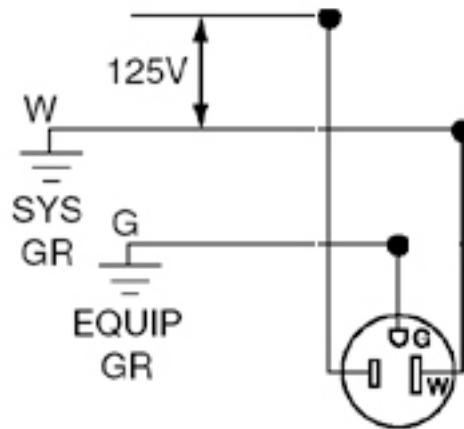
AC Horsepower Ratings	
At Rated Voltage	1-1/2 HP
Environmental Specifications	
Flammability	Rated V-2 per UL94
Operating Temperature	-35C to 65C
Mechanical Specifications	
Terminal ID	Brass-Hot, Green-Ground, White-Neutral
Terminal Accom.	14-12 AWG
Product ID	Ratings are permanently marked on device

Electrical Specifications	
Dielectric Voltage	Withstands 1500V per UL498
Current Limiting	10kA
Temperature Rise	Max 30C after 50 cycles OL at 150 percent rated current

Material Specifications	
Face Material	Thermoplastic Nylon
Body Material	Thermoplastic Nylon
Line Contacts	Brass Triple-Wipe .031 Thick
Terminal Screws	Brass 10-32
Grounding Screw	Brass 8-32
Yoke	Zinc-Plated Steel
Clamp Nuts	Zinc-Plated Steel
Notes	w/ Wallplate

Standards and Certifications	
NEMA	WD-6
ANSI	C-73
UL498	File E13399
CSA C22.2 No. 42	File LR-57811
NOM	057

Wiring Diagram



5-15R

SPECIFICATION SUBMITTAL

JOB NAME:	CATALOG NUMBERS:	
<input type="text"/>	<input type="text"/>	<input type="text"/>
JOB NUMBER:	<input type="text"/>	<input type="text"/>

Leviton Manufacturing Co., Inc.

59-25 Little Neck Parkway, Little Neck, NY 11362-2591

Telephone: 1-800-323-8920 · FAX: 1-800-832-9538 · Tech Line (8:30AM-7:30PM E.S.T. Monday-Friday): 1-800-824-3005

Leviton Manufacturing of Canada, Ltd.

165 Hymus Boulevard, Pointe Claire, Quebec H9R 1E9 · Telephone: 1-800-469-7890 · FAX: 1-800-824-3005

Leviton S. de R.L. de C.V.

Lago Tana 43, Mexico DF, Mexico CP 11290 · Tel.: (+52)55-5082-1040 · FAX: (+52)5386-1797 · www.leviton.com.mx

Visit our Website at: www.leviton.com

©2007 Leviton Manufacturing Co., Inc. All rights reserved. Subject to change without notice.

