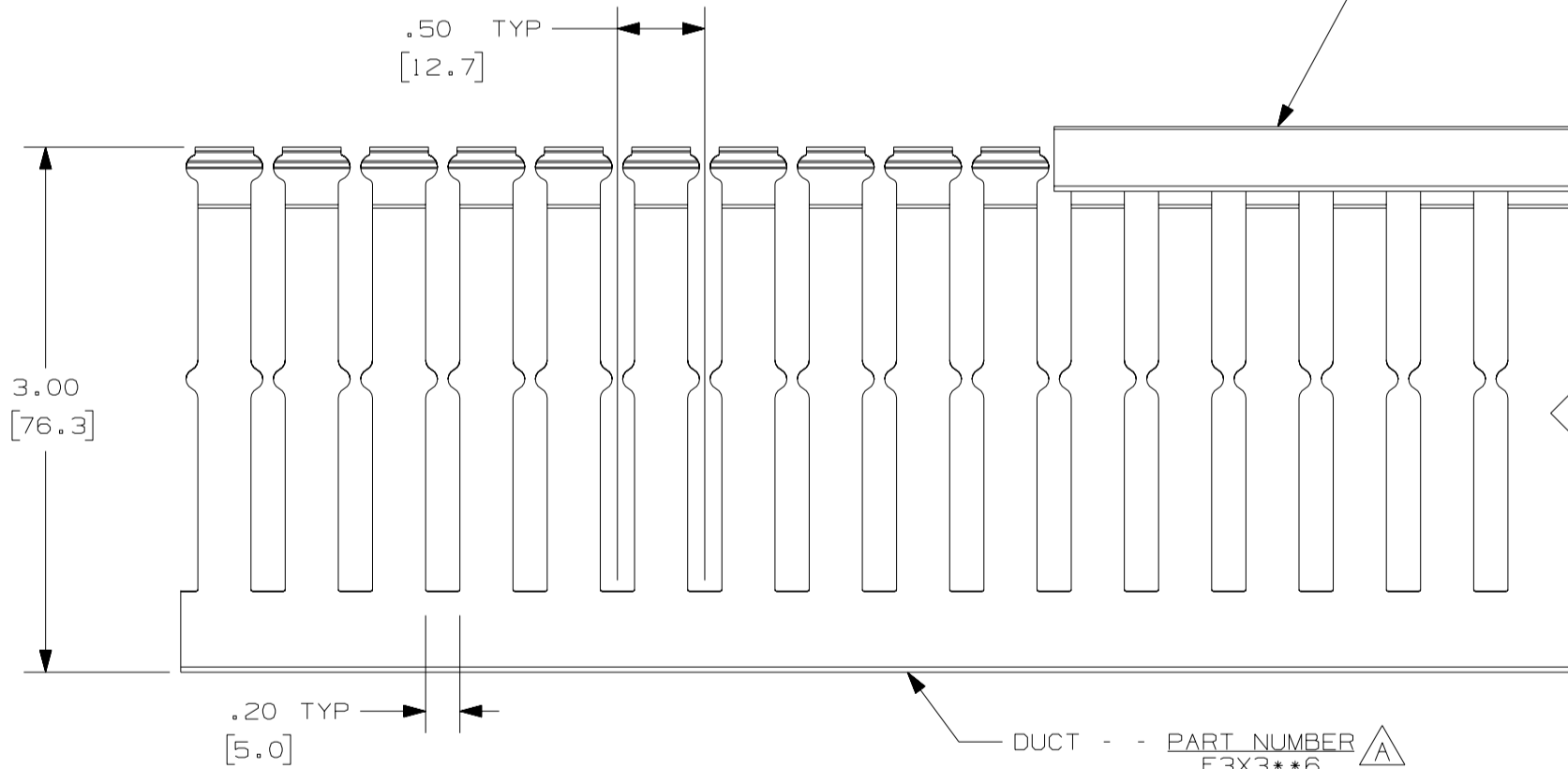
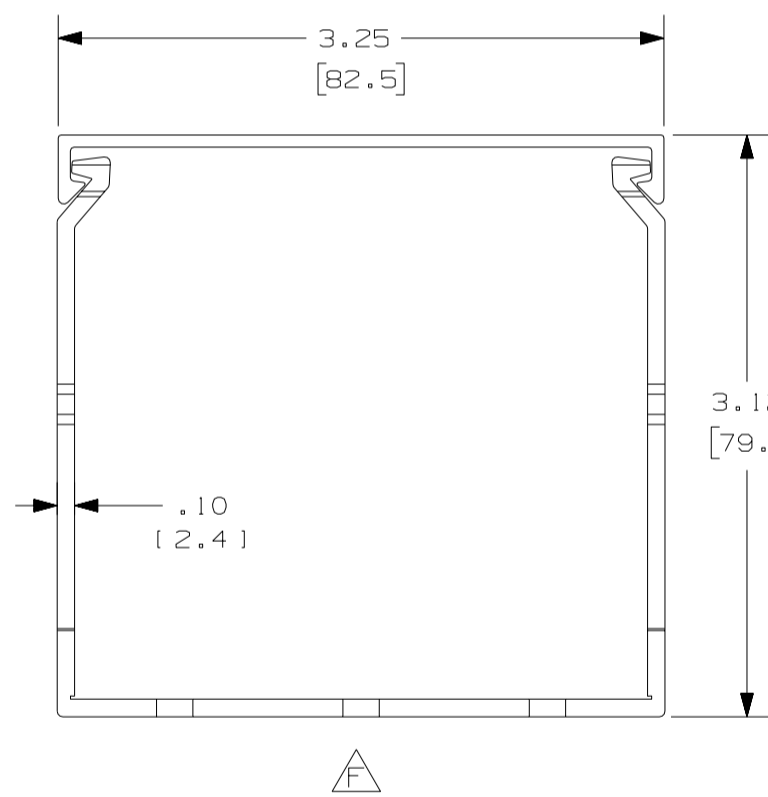


COVER - - PART NUMBER C3**6



DUCT - - PART NUMBER F3X3**6

A H

NOTES:

1. ALL DIMENSIONS ARE REFERENCE ONLY.
2. DIMENSIONS IN PARENTHESIS ARE METRIC.
3. THE ** DENOTE COLOR.
4. DUCT AND COVER ARE AVAILABLE IN 6 FT [1828.8] LENGTHS

REV	DATE	BY	CHK	DESCRIPTION
3	7-23-07	JCSTMKBE		H. ADDED LENGTH NOTE G. CORRECTED DIMENSION F. DELETED DIMENSION E. ADDED DIMENSION
2	5/5/05	JCSTMKBE		D. CHANGED DUCT DIMENSIONS / SIZE (WAS 3X4)
1	9-9-04	JCSTMKBE		C. CHANGED DRAWING SIZE B. CHANGED VIEW A. ADDED TOP VIEW, NOTES, AND LABELS
R	6-18-03	JHNU	JGG	DRAWING RELEASED

CAD FILENAME/LAYERS: D11000CP_DC/00D

PANDUIT CORP., TINLEY PARK, ILLINOIS

WIRING DUCT - TYPE F DUCT WITH COVER
3X3
MARKETING DRAWING

DRAWN BY: JHNU	MAT'L: PVC	SCALE: FULL
DATE: 6-18-03	CHECKED BY: JGG	DRAWING NO.: 36897-778
		DWG SIZE: C